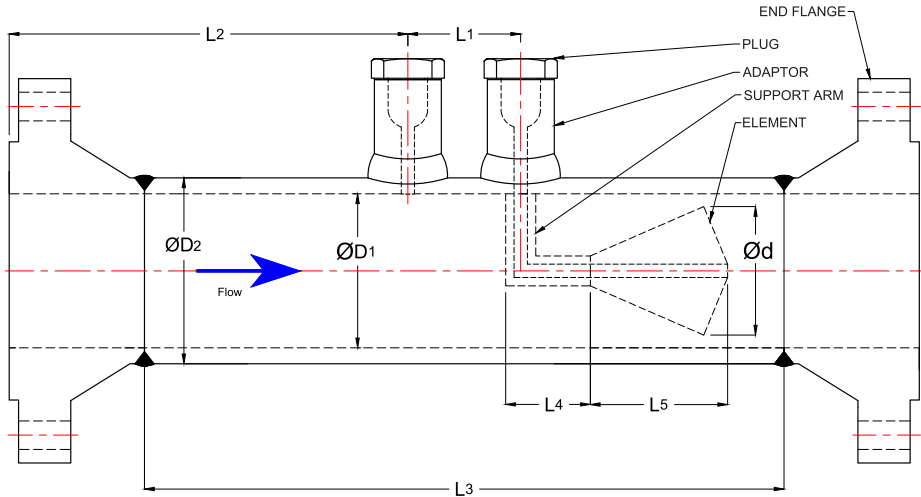


# CFE 400# Series Conical Flow Element



Ød1	Pipe internal diameter
ØD2	Pipe outside diameter
Ød	Cone diameter
L1	Distance between tapings
L2	Distance from face of flange to upstream tap
L3	Length of meter run
L4	Length of support arm
L5	Length of cone

Conical flow element are a recent development in different pressure flow measurement. It works on the same basic principles as other DP based flow meters but are however designed for high precision measurement that covers a wide range of fluids, flow conditions and Reynolds number.

Code	Element Type
M	Conical Flow Element - Machined
F	Conical Flow Element - Fabricated

Code	Element Material
F303/L	A182 Gr.F304/F304L
F316/L	A182 Gr. F316/F316L
Inc 625	Inconel 625
DSS	Duplex Stainless Steel
SDSS	Super Duplex Stainless Steel
Other	Please Specify

Code	Meter Tube Material
A106	A106 Gr.B
P11	A335 Gr.P11
P22	A335 Gr.P22
316	A312 TP316
Other	Please Specify

Code	End Connection
BW	Butt Weld
FL	Flanged

Code	Option
0	None
10	Wet Calibration
Other	See Table- 7

Code	Pressure Tap Details
T	Threaded: Define thread size [eg: 1/2" NPTF]
F	Flanged: Define flange size/rating [eg: 1/2" 300# WNRF]

Code	Flange Details
Define	eg: 300# WNRF

Code	Line Size
Define	eg: 100NB Sch80

## ORDERING INFORMATION

CFE400# SERIES M-F316-316-FL-100NB SCH80-300# WNRF-T(1/2" NPTF)-OP10

Hydropneumatics Private Limited