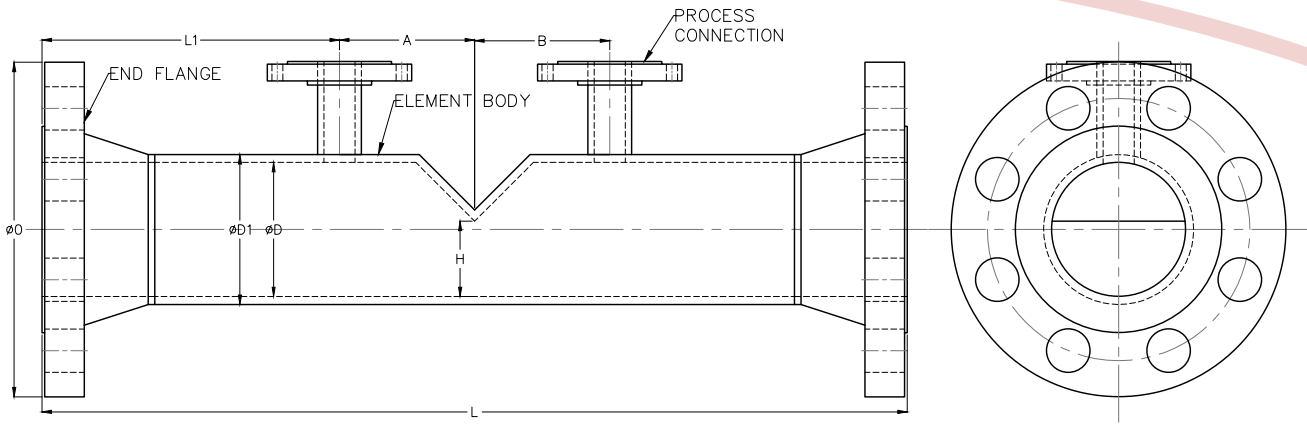


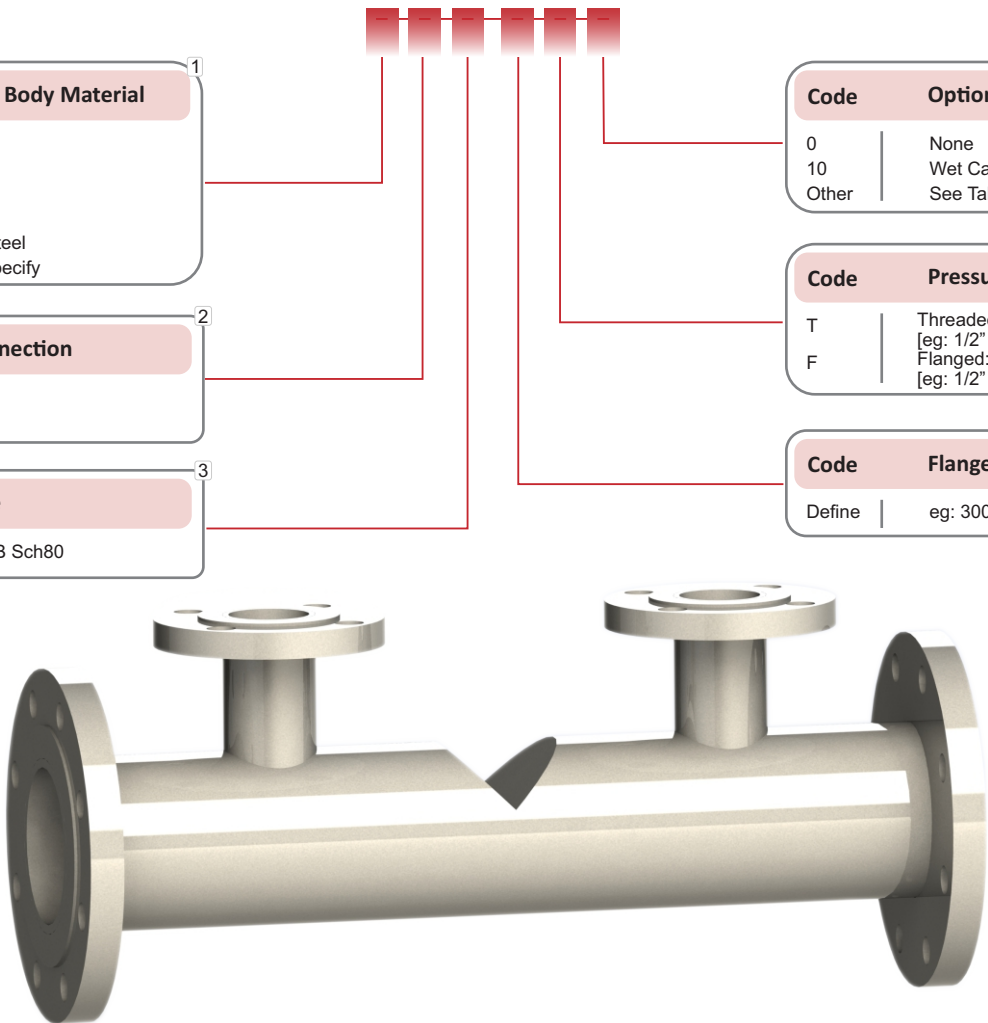
WFE 400# Series Wedge Flow Element



Wedge flow elements works on the same basic principles as other DP based flow meters but are however designed for measurement of low Reynolds-number and high viscosity and slurry fluids.

And also it is good solution for the liquids with some solid particles.

Ød1	Pipe internal diameter
ØD2	Pipe outside diameter
H	Segment Height



Code	Element Body Material
316	Ss316
316	SS316
Mo	Monel
Inc	Inconel
CS	Carbon Steel
Other	Please Specify

Code	End Connection
BW'	Butt Weld
FL	Flanged

Code	Line Size
Define	eg: 100NB Sch80

Code	Option
0	None
10	Wet Calibration
Other	See Table- 7

Code	Pressure Tap Details
T	Threaded: Define thread size [eg: 1/2" NPTF]
F	Flanged: Define flange size/rating [eg: 1/2" 300# WNRF]

Code	Flange Details
Define	eg: 300# WNRF

ORDERING INFORMATION

WFE400# SERIES 316-FL-100NB SCH40-300# SORF-50NB 300# SORF-OP10

Hydropneumatics Private Limited