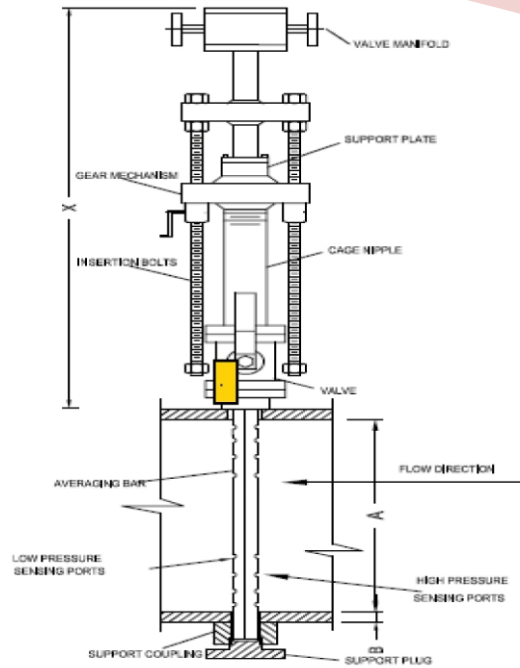
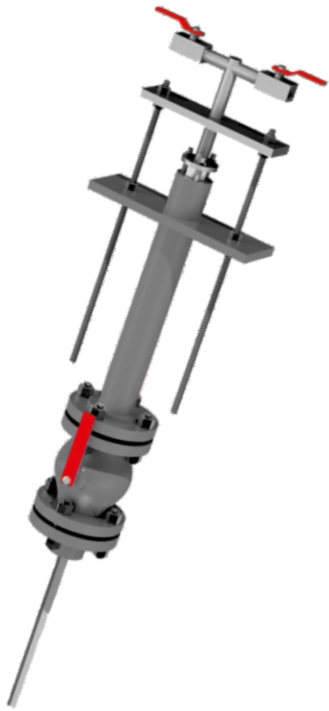


# AB 400 R# Series Averaging Bar - Flange Mounted Retractable





It is a dual chamber tube with multiple sensing ports on both the chambers i.e. upstream & down stream. This flow element when inserted into the flow stream produces boundary layer there by having High Pressure & Low Pressure gradient around the sensor body. The presence of HP & LP ports in that gradient helps it to sense the pressure in respective chambers & when this two respective tubings are connected to DP Transmitter it gives you a flow signal.

<table border="1"> <tr> <th>Code</th> <th>Element / Sensor Type</th> </tr> <tr> <td>AB</td> <td>Averaging Pitot Tube [Anubar]</td> </tr> </table>	Code	Element / Sensor Type	AB	Averaging Pitot Tube [Anubar]	<table border="1"> <tr> <th>Code</th> <th>Option</th> </tr> <tr> <td>Op0</td> <td>None</td> </tr> <tr> <td>Op11</td> <td>Nipples</td> </tr> <tr> <td>Op12</td> <td>Valves</td> </tr> </table>	Code	Option	Op0	None	Op11	Nipples	Op12	Valves				
Code	Element / Sensor Type																
AB	Averaging Pitot Tube [Anubar]																
Code	Option																
Op0	None																
Op11	Nipples																
Op12	Valves																
<table border="1"> <tr> <th>Code</th> <th>Element / Sensor Material</th> </tr> <tr> <td>304/L</td> <td>SS304/304L</td> </tr> <tr> <td>316/L</td> <td>SS316/316L</td> </tr> <tr> <td>Mo</td> <td>Monel</td> </tr> <tr> <td>Other</td> <td>Please Specify</td> </tr> </table>	Code	Element / Sensor Material	304/L	SS304/304L	316/L	SS316/316L	Mo	Monel	Other	Please Specify	<table border="1"> <tr> <th>Code</th> <th>Mechanism Type</th> </tr> <tr> <td>MD</td> <td>Manual Drive</td> </tr> <tr> <td>GD</td> <td>Gear Drive</td> </tr> </table>	Code	Mechanism Type	MD	Manual Drive	GD	Gear Drive
Code	Element / Sensor Material																
304/L	SS304/304L																
316/L	SS316/316L																
Mo	Monel																
Other	Please Specify																
Code	Mechanism Type																
MD	Manual Drive																
GD	Gear Drive																
<table border="1"> <tr> <th>Code</th> <th>Element / Sensor Shape</th> </tr> <tr> <td>D</td> <td>Diamond</td> </tr> <tr> <td>R</td> <td>Round</td> </tr> </table>	Code	Element / Sensor Shape	D	Diamond	R	Round	<table border="1"> <tr> <th>Code</th> <th>Opp. side/End Supporting Mounting</th> </tr> <tr> <td>TH</td> <td>Threaded</td> </tr> <tr> <td>SW</td> <td>Socket Weld</td> </tr> </table>	Code	Opp. side/End Supporting Mounting	TH	Threaded	SW	Socket Weld				
Code	Element / Sensor Shape																
D	Diamond																
R	Round																
Code	Opp. side/End Supporting Mounting																
TH	Threaded																
SW	Socket Weld																
<table border="1"> <tr> <th>Code</th> <th>Pipe Size</th> </tr> <tr> <td>XX</td> <td>Please Define Viz. 400NB 6.35 thk</td> </tr> </table>	Code	Pipe Size	XX	Please Define Viz. 400NB 6.35 thk	<table border="1"> <tr> <th>Code</th> <th>Gasket Material</th> </tr> <tr> <td>G1</td> <td>CAF</td> </tr> <tr> <td>G2</td> <td>[SS304 + CAF]</td> </tr> <tr> <td>Other</td> <td>Select from Table 5</td> </tr> </table>	Code	Gasket Material	G1	CAF	G2	[SS304 + CAF]	Other	Select from Table 5				
Code	Pipe Size																
XX	Please Define Viz. 400NB 6.35 thk																
Code	Gasket Material																
G1	CAF																
G2	[SS304 + CAF]																
Other	Select from Table 5																
<table border="1"> <tr> <th>Code</th> <th>Mounting Type</th> </tr> <tr> <td>Flg</td> <td>Flanged</td> </tr> <tr> <td>SW</td> <td>Socket Weld</td> </tr> </table>	Code	Mounting Type	Flg	Flanged	SW	Socket Weld	<table border="1"> <tr> <th>Code</th> <th>Gasket Type</th> </tr> <tr> <td>FR</td> <td>Flat Ring</td> </tr> <tr> <td>SP</td> <td>Spiral Wound</td> </tr> <tr> <td>RTJ</td> <td>Ring Type Joint</td> </tr> <tr> <td>Other</td> <td>Please Define</td> </tr> </table>	Code	Gasket Type	FR	Flat Ring	SP	Spiral Wound	RTJ	Ring Type Joint	Other	Please Define
Code	Mounting Type																
Flg	Flanged																
SW	Socket Weld																
Code	Gasket Type																
FR	Flat Ring																
SP	Spiral Wound																
RTJ	Ring Type Joint																
Other	Please Define																
<table border="1"> <tr> <th>Code</th> <th>Flange Size/Rating/Type/Mat'l</th> </tr> <tr> <td>XX</td> <td>Please Define e.g. 2" 150# SORF A105</td> </tr> </table>	Code	Flange Size/Rating/Type/Mat'l	XX	Please Define e.g. 2" 150# SORF A105	<table border="1"> <tr> <th>Code</th> <th>Studs / Nuts</th> </tr> <tr> <td>B7/2H</td> <td>A193 Gr.B7 / A194 Gr.2H</td> </tr> <tr> <td>Other</td> <td>[Please See Table -4]</td> </tr> </table>	Code	Studs / Nuts	B7/2H	A193 Gr.B7 / A194 Gr.2H	Other	[Please See Table -4]						
Code	Flange Size/Rating/Type/Mat'l																
XX	Please Define e.g. 2" 150# SORF A105																
Code	Studs / Nuts																
B7/2H	A193 Gr.B7 / A194 Gr.2H																
Other	[Please See Table -4]																

## ORDERING INFORMATION

AB400# R Series AB-316-D-300 NB 6.35 Thk-Flg-2" 150#-SORF A105-B7/2H-FR-G1-MD-TH-Op11-Op12

Hydropneumatics Private Limited

 D2-6, B.I.E, Bicholim - Goa 403529 India. 
  +91-832-236-0364. 
  +91-932-521-1941

 [admin@hydropneumatics.co.in](mailto:admin@hydropneumatics.co.in)

 [www.hydropneumatics.co.in](http://www.hydropneumatics.co.in)