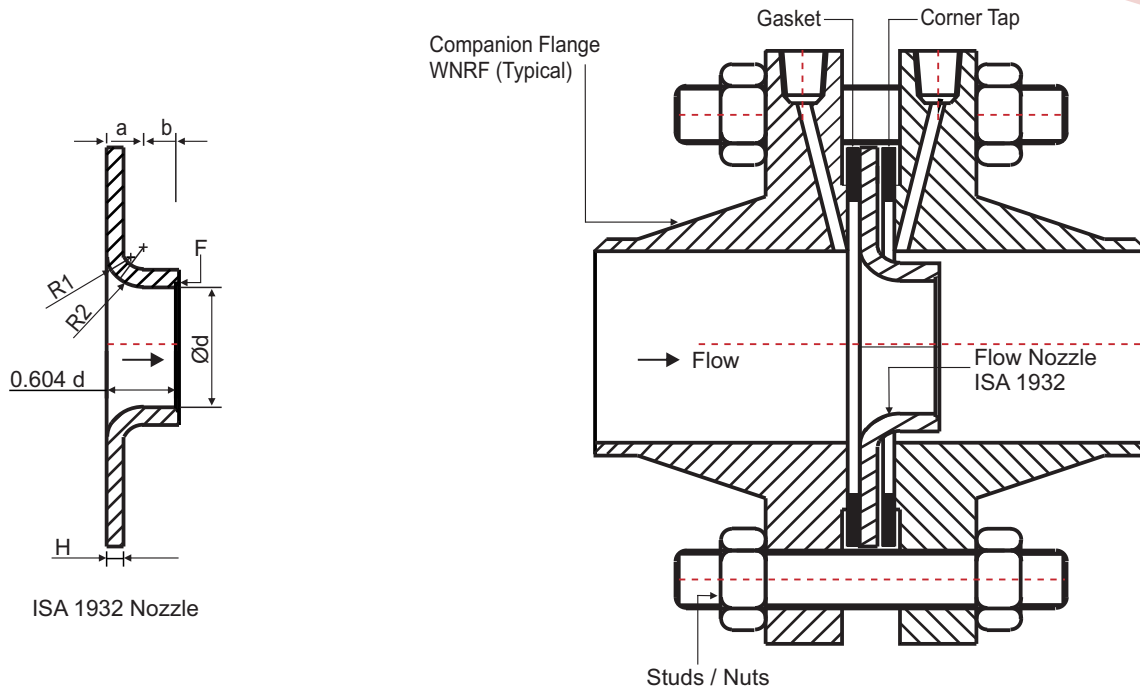


FN200 # Series ISA 1932 Flow Nozzle with Flange Union



The Flow Nozzle is inserted between the Flanges. The Flow nozzle is designed for corner taps which are provided on companion Flanges. The Nozzle Flange can be furnished in any type of facing (raised, ring-joint, etc) as specified. The Flow Nozzle Assembly can be supplied either with the meter tube or without meter tube as required by customer.

<table border="1"> <thead> <tr> <th>Code</th> <th>Element Type</th> </tr> </thead> <tbody> <tr> <td>ISAN</td> <td>ISA 1932 Flow Nozzle</td> </tr> </tbody> </table>	Code	Element Type	ISAN	ISA 1932 Flow Nozzle	<table border="1"> <thead> <tr> <th>Code</th> <th>Option</th> </tr> </thead> <tbody> <tr> <td>0</td> <td>None</td> </tr> <tr> <td>1</td> <td>IBR Form III C</td> </tr> <tr> <td>Other</td> <td>See Table-7</td> </tr> </tbody> </table>	Code	Option	0	None	1	IBR Form III C	Other	See Table-7																
Code	Element Type																												
ISAN	ISA 1932 Flow Nozzle																												
Code	Option																												
0	None																												
1	IBR Form III C																												
Other	See Table-7																												
<table border="1"> <thead> <tr> <th>Code</th> <th>Element Material</th> </tr> </thead> <tbody> <tr> <td>F304/L</td> <td>A182 Gr.F304 / F304L</td> </tr> <tr> <td>F316/L</td> <td>A182 Gr.F316 / F316L</td> </tr> <tr> <td>Mo</td> <td>Monel</td> </tr> <tr> <td>Ti</td> <td>Titanium</td> </tr> <tr> <td>Hb/Hc</td> <td>Hastelloy' C/B</td> </tr> <tr> <td>A20</td> <td>Alloy 20</td> </tr> <tr> <td>Other</td> <td>Please Specify</td> </tr> </tbody> </table>	Code	Element Material	F304/L	A182 Gr.F304 / F304L	F316/L	A182 Gr.F316 / F316L	Mo	Monel	Ti	Titanium	Hb/Hc	Hastelloy' C/B	A20	Alloy 20	Other	Please Specify	<table border="1"> <thead> <tr> <th>Code</th> <th>Pressure Tapping Connection</th> </tr> </thead> <tbody> <tr> <td>3N</td> <td>1/2" NPT [F]</td> </tr> <tr> <td>4N</td> <td>3/4" NPT [F]</td> </tr> <tr> <td>1B</td> <td>1/2" BSP [F]</td> </tr> <tr> <td>2B</td> <td>3/4" BSP [F]</td> </tr> <tr> <td>1T</td> <td>Other [see table - 6]</td> </tr> </tbody> </table>	Code	Pressure Tapping Connection	3N	1/2" NPT [F]	4N	3/4" NPT [F]	1B	1/2" BSP [F]	2B	3/4" BSP [F]	1T	Other [see table - 6]
Code	Element Material																												
F304/L	A182 Gr.F304 / F304L																												
F316/L	A182 Gr.F316 / F316L																												
Mo	Monel																												
Ti	Titanium																												
Hb/Hc	Hastelloy' C/B																												
A20	Alloy 20																												
Other	Please Specify																												
Code	Pressure Tapping Connection																												
3N	1/2" NPT [F]																												
4N	3/4" NPT [F]																												
1B	1/2" BSP [F]																												
2B	3/4" BSP [F]																												
1T	Other [see table - 6]																												
<table border="1"> <thead> <tr> <th>Code</th> <th>Companion Flange Details</th> </tr> </thead> <tbody> <tr> <td>XX</td> <td>Define eg:150NB 600#Sch.120WNRF</td> </tr> </tbody> </table>	Code	Companion Flange Details	XX	Define eg:150NB 600#Sch.120WNRF	<table border="1"> <thead> <tr> <th>Code</th> <th>Gasket Material</th> </tr> </thead> <tbody> <tr> <td>G1</td> <td>CAF</td> </tr> <tr> <td>G2</td> <td>[SS304 + CAF]</td> </tr> <tr> <td>G3</td> <td>[Ss316 + CAF]</td> </tr> <tr> <td>Other</td> <td>Select from Table 5</td> </tr> </tbody> </table>	Code	Gasket Material	G1	CAF	G2	[SS304 + CAF]	G3	[Ss316 + CAF]	Other	Select from Table 5														
Code	Companion Flange Details																												
XX	Define eg:150NB 600#Sch.120WNRF																												
Code	Gasket Material																												
G1	CAF																												
G2	[SS304 + CAF]																												
G3	[Ss316 + CAF]																												
Other	Select from Table 5																												
<table border="1"> <thead> <tr> <th>Code</th> <th>Carrier Ring Material</th> </tr> </thead> <tbody> <tr> <td>A105</td> <td>ASTM A105</td> </tr> <tr> <td>304/L</td> <td>A182 Gr.F304/F304L</td> </tr> <tr> <td>316/L</td> <td>A182 Gr.F316/F316L</td> </tr> <tr> <td>F5</td> <td>A182 Gr.F5</td> </tr> <tr> <td>F11</td> <td>A182 Gr.F11</td> </tr> <tr> <td>F12</td> <td>A182 Gr.F12</td> </tr> <tr> <td>Other</td> <td>Please Specify</td> </tr> </tbody> </table>	Code	Carrier Ring Material	A105	ASTM A105	304/L	A182 Gr.F304/F304L	316/L	A182 Gr.F316/F316L	F5	A182 Gr.F5	F11	A182 Gr.F11	F12	A182 Gr.F12	Other	Please Specify	<table border="1"> <thead> <tr> <th>Code</th> <th>Gasket Type</th> </tr> </thead> <tbody> <tr> <td>FR</td> <td>Flat Ring</td> </tr> <tr> <td>SP</td> <td>Spiral Wound</td> </tr> <tr> <td>Other</td> <td>Please Define</td> </tr> </tbody> </table>	Code	Gasket Type	FR	Flat Ring	SP	Spiral Wound	Other	Please Define				
Code	Carrier Ring Material																												
A105	ASTM A105																												
304/L	A182 Gr.F304/F304L																												
316/L	A182 Gr.F316/F316L																												
F5	A182 Gr.F5																												
F11	A182 Gr.F11																												
F12	A182 Gr.F12																												
Other	Please Specify																												
Code	Gasket Type																												
FR	Flat Ring																												
SP	Spiral Wound																												
Other	Please Define																												
<table border="1"> <thead> <tr> <th>Code</th> <th>Companion Flange Details</th> </tr> </thead> <tbody> <tr> <td>XX</td> <td>A193 Gr.B7 / A194 Gr.2H Other [See table - 4]</td> </tr> </tbody> </table>	Code	Companion Flange Details	XX	A193 Gr.B7 / A194 Gr.2H Other [See table - 4]																									
Code	Companion Flange Details																												
XX	A193 Gr.B7 / A194 Gr.2H Other [See table - 4]																												

ORDERING INFORMATION

FN200# Series ISAN-F316-100NB 300# Sch.80-WNRF-F316-B7/2H-SP-G2-3N-Op0

Hydropneumatics Private Limited