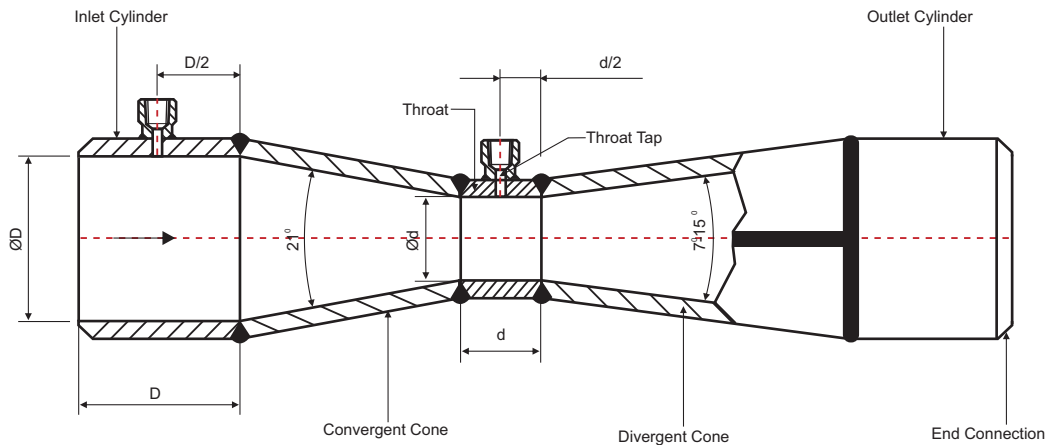


VT400 F# Series Classic Venturi Tube - Fabricated



The classical Venturi Tubes of the sizes 8" and above shall be supplied fabricated. The Venturi is streamlined at both entrance and exit by cylinders. Cylinders will be either standard seamless pipes or ERW pipes or fabricated by sheet metal.

The inlet and outlet cones are fabricated by sheet metal and the throat (element) in cylindrical form shall be either machined from a forged bar or fabricated by sheet metal.

Standard designs are equipped with piezometer rings (i.e., Multiple tap holes around the periphery of inlet and throat, surrounded by an annular ring). Piezometer rings helps to permit efficient purging of the pressure tap holes in case of measurement of slurries and similar nonhomogeneous liquids.

<table border="1"> <thead> <tr> <th>Code</th> <th>Element Type</th> </tr> </thead> <tbody> <tr> <td>VT F</td> <td>Classic Venturi Tube - Fabricated</td> </tr> </tbody> </table>	Code	Element Type	VT F	Classic Venturi Tube - Fabricated	<table border="1"> <thead> <tr> <th>Code</th> <th>Option</th> </tr> </thead> <tbody> <tr> <td>0</td> <td>None</td> </tr> <tr> <td>1</td> <td>IBR Form IIC</td> </tr> <tr> <td>PR</td> <td>Piezometric Ring</td> </tr> <tr> <td>Other</td> <td>See Table-7</td> </tr> </tbody> </table>	Code	Option	0	None	1	IBR Form IIC	PR	Piezometric Ring	Other	See Table-7						
Code	Element Type																				
VT F	Classic Venturi Tube - Fabricated																				
Code	Option																				
0	None																				
1	IBR Form IIC																				
PR	Piezometric Ring																				
Other	See Table-7																				
<table border="1"> <thead> <tr> <th>Code</th> <th>Element [Throat] Material</th> </tr> </thead> <tbody> <tr> <td>A105</td> <td>ASTM A105</td> </tr> <tr> <td>F304/L</td> <td>A182 Gr.F304 / F304L</td> </tr> <tr> <td>F316/L</td> <td>A182 Gr.F316 / F316L</td> </tr> <tr> <td>F11</td> <td>A182 Gr.F11</td> </tr> <tr> <td>F12</td> <td>A182 Gr.F12</td> </tr> <tr> <td>Mo</td> <td>Monel</td> </tr> <tr> <td>Other</td> <td>Please Specify</td> </tr> </tbody> </table>	Code	Element [Throat] Material	A105	ASTM A105	F304/L	A182 Gr.F304 / F304L	F316/L	A182 Gr.F316 / F316L	F11	A182 Gr.F11	F12	A182 Gr.F12	Mo	Monel	Other	Please Specify	<table border="1"> <thead> <tr> <th>Code</th> <th>End Flange Type / Material</th> </tr> </thead> <tbody> <tr> <td>XX</td> <td>Please Define e.g. WNRF, A105</td> </tr> </tbody> </table>	Code	End Flange Type / Material	XX	Please Define e.g. WNRF, A105
Code	Element [Throat] Material																				
A105	ASTM A105																				
F304/L	A182 Gr.F304 / F304L																				
F316/L	A182 Gr.F316 / F316L																				
F11	A182 Gr.F11																				
F12	A182 Gr.F12																				
Mo	Monel																				
Other	Please Specify																				
Code	End Flange Type / Material																				
XX	Please Define e.g. WNRF, A105																				
<table border="1"> <thead> <tr> <th>Code</th> <th>Cone Material</th> </tr> </thead> <tbody> <tr> <td>Gr.70</td> <td>A515 Gr.70</td> </tr> <tr> <td>316/L</td> <td>A240 Gr. 316 / 316L</td> </tr> <tr> <td>304/L</td> <td>A240 Gr.304 / 304L</td> </tr> <tr> <td>C5</td> <td>A217 Gr.C5</td> </tr> <tr> <td>Other</td> <td>Please Specify</td> </tr> </tbody> </table>	Code	Cone Material	Gr.70	A515 Gr.70	316/L	A240 Gr. 316 / 316L	304/L	A240 Gr.304 / 304L	C5	A217 Gr.C5	Other	Please Specify	<table border="1"> <thead> <tr> <th>Code</th> <th>N.B. / Sch. / Rating</th> </tr> </thead> <tbody> <tr> <td>XX</td> <td>Define eg:200NB Sch.20 300#</td> </tr> </tbody> </table>	Code	N.B. / Sch. / Rating	XX	Define eg:200NB Sch.20 300#				
Code	Cone Material																				
Gr.70	A515 Gr.70																				
316/L	A240 Gr. 316 / 316L																				
304/L	A240 Gr.304 / 304L																				
C5	A217 Gr.C5																				
Other	Please Specify																				
Code	N.B. / Sch. / Rating																				
XX	Define eg:200NB Sch.20 300#																				
<table border="1"> <thead> <tr> <th>Code</th> <th>Cylinder Material</th> </tr> </thead> <tbody> <tr> <td>A106</td> <td>A106Gr.B / C</td> </tr> <tr> <td>P11</td> <td>A335 Gr.P11</td> </tr> <tr> <td>P12</td> <td>A182 Gr.P12</td> </tr> <tr> <td>316/L</td> <td>TP 316 / 316L</td> </tr> <tr> <td>304/L</td> <td>TP 304 / 304L</td> </tr> <tr> <td>Other</td> <td>Please Specify</td> </tr> </tbody> </table>	Code	Cylinder Material	A106	A106Gr.B / C	P11	A335 Gr.P11	P12	A182 Gr.P12	316/L	TP 316 / 316L	304/L	TP 304 / 304L	Other	Please Specify	<table border="1"> <thead> <tr> <th>Code</th> <th>End Connection</th> </tr> </thead> <tbody> <tr> <td>BW</td> <td>Butt Weld</td> </tr> <tr> <td>FL</td> <td>Flanged</td> </tr> </tbody> </table>	Code	End Connection	BW	Butt Weld	FL	Flanged
Code	Cylinder Material																				
A106	A106Gr.B / C																				
P11	A335 Gr.P11																				
P12	A182 Gr.P12																				
316/L	TP 316 / 316L																				
304/L	TP 304 / 304L																				
Other	Please Specify																				
Code	End Connection																				
BW	Butt Weld																				
FL	Flanged																				
	<table border="1"> <thead> <tr> <th>Code</th> <th>Pressure Tapping Connection</th> </tr> </thead> <tbody> <tr> <td>3N</td> <td>1/2" NPT [F]</td> </tr> <tr> <td>4N</td> <td>3/4" NPT [F]</td> </tr> <tr> <td>1B</td> <td>1/2" BSP [F]</td> </tr> <tr> <td>2B</td> <td>3/4" BSP [F]</td> </tr> <tr> <td>1T</td> <td>Other [see table - 6]</td> </tr> </tbody> </table>	Code	Pressure Tapping Connection	3N	1/2" NPT [F]	4N	3/4" NPT [F]	1B	1/2" BSP [F]	2B	3/4" BSP [F]	1T	Other [see table - 6]								
Code	Pressure Tapping Connection																				
3N	1/2" NPT [F]																				
4N	3/4" NPT [F]																				
1B	1/2" BSP [F]																				
2B	3/4" BSP [F]																				
1T	Other [see table - 6]																				

ORDERING INFORMATION

VT400 F# Series VT F-A105-Gr.70-A106-3N-FL-200 NB Sch.80 300#-WNRF A105-PR-Op0

Hydropneumatics Private Limited

© D2-6, B.I.E, Bicholim - Goa 403529 India. ☎ +91-832-236-0364. 📞 +91-932-521-1941

✉ admin@hydropneumatics.co.in 🌐 www.hydropneumatics.co.in