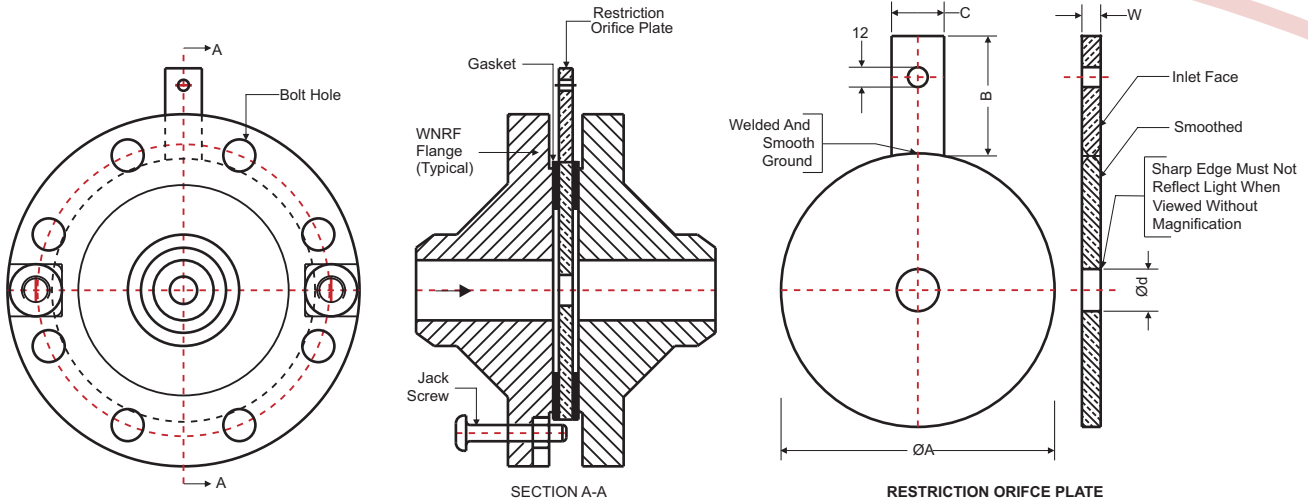


RO400# Series Restriction Orifice Assembly with Weld Neck Flanges



Restriction Orifice Plates are supplied with the Weld Neck Raised Face Flange unions. However, these flanges are supplied without pressure tapings and the instrument is used as a device only for dropping / reducing the line pressure.

The plate thickness is selected based on line size and differential pressure, and should be sufficient to prevent the plate from bending under operating conditions. Plate versions to suit RTJ flanges are also available.

Code Element Type/ Orifice Type		Code Option
RO Restriction Orifice		0 None
		1 IBR Form IIC
		Other See Table 7
Code Element Material		Code Gasket Material
304/L AISI 304 /304L		G1 CAF
316/L AISI 316 /316L		GP SS304 + CAF
321 AISI 321		G3 Ss316 + CAF
347 AISI 347		Other Please Specify (Refer Table 5)
Mo Monel 400		
INC6 Inconel - 600		Code Gasket Type
Hb/Hc Hastelloy' B/c		FR Flat Ring
Other Please Specify		SP Spiral Wound
		RX RTJ Ring
		Other Please Define
Code Element Thickness		Code Studs / Nuts Material
W1 3.175 mm		B7/2H A193 Gr.B7/A194 Gr. 2H
W2 6.350 mm		Other Please Specify (Refer Table 4)
W3 9.52 mm		
W4 12.7 mm		Code End Flange Material
XX Other Please Specify		A105 ASTM A105
		F304/L A182 Gr.F304 / F304L
		F316/L A182 Gr.F316 F316L
		F321 A182 Gr.F321
		F5 A182 Gr.F5
		F11 A182 Gr.F11
		F12 A182 Gr.F12
		L2 A350 Gr.LF2
		LF3 A350 Gr.LF3
		Other Please Specify
Code Flange Size & Rating		Code Meter Tube Material
XX Define (eg:25 NB 300#) [Refer table 1]		XX Define eg:sch.80 [refer Table-3]
Code Flange Type		
WN Weld Neck		
SO Slip On		
SW Socket Weld		
Th Threaded		
Code Flange Facing		
RF Raised Face		
FF Flat Face		
RTJ Ring Type Joint		
Other Refer Table 8		

ORDERING INFORMATION

RO400# Series RO-316-W1-80NB 300# WN-RF-Sch.80-A105-B7/2H-FR-G1-Op1

Hydropneumatics Private Limited

📍 D2-6, B.I.E, Bicholim - Goa 403529 India. ☎ +91-832-236-0364. 📞 +91-932-521-1941

✉ admin@hydropneumatics.co.in 🌐 www.hydropneumatics.co.in